

6

5

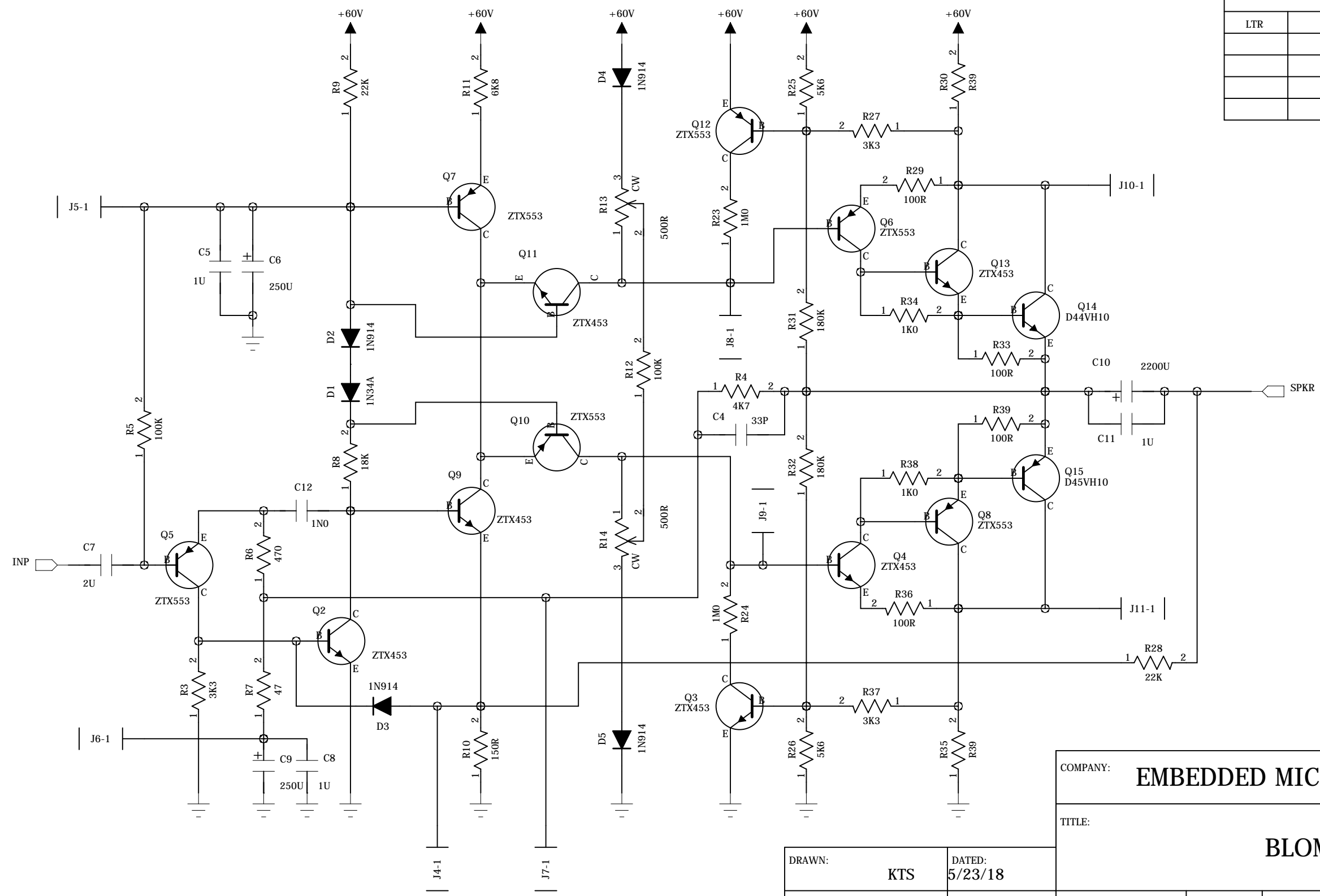
4

3

2

1

| REVISION RECORD | | | |
|-----------------|---------|-----------|-------|
| LTR | ECO NO: | APPROVED: | DATE: |
| | | | |
| | | | |
| | | | |



| | | | |
|--|----------------|--------------------------|---------------|
| COMPANY: EMBEDDED MICROTECHNOLOGY | | | |
| TITLE: BLOMLEY AMP | | | |
| CODE: BL17 | SIZE: B | DRAWING NO: K2022 | REV: A |
| FILE: Amp-3.sch | | SHEET: 1 of 3 | |

| | |
|---------------------------------------|-------------------------------|
| DRAWN: KTS | DATED: 5/23/18 |
| CHECKED: xx | DATED: nn/nn/nn |
| QUALITY CONTROL: <QC By> | DATED: <QC Date> |
| RELEASED: xx | DATED: nn/nn/nn |

D

C

B

A

D

C

B

A